

## 63 Series Accessories

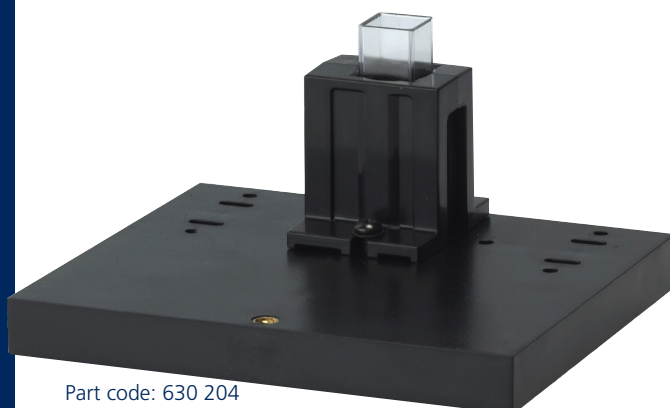
### 63 Series Spectrophotometer

The 63 series has been specifically designed to enable a wide range of accessories to be easily fitted and used. To increase productivity Jenway offer a four position rotary cuvette holder (part code 634 001). To accommodate various sample volumes there are a wide range of passive accessories available including an adjustable cuvette holder which can hold cuvettes between 10 and 100mm; a test tube holder for test tubes with diameters between 16 and 24mm; and for small sample volumes there is a micro-cuvette holder with a reduced aperture.

Where temperature control is important Jenway offer a water heated cuvette option (part code 648 001) which requires a water bath and circulator (not supplied). For reproducible samples volumes Jenway offer an external sipper pump system (part code 632 001) which can be programmed to deliver controlled and reproducible sample volumes into the chamber of a flow through cuvette along with air and segmentation rinse cycles.

### Key Features

- Water and electrically heated cuvette holders
- Adjustable path length cuvette holder
- 4 position cuvette holder
- Test tube holders
- Sipper pump



Part code: 630 204

### Ordering Information

Part Code	Description
630 204	10mm path length cuvette holder
630 005	10 to 100mm path length cuvette holder
634 001	4 position manual cuvette holder
630 304	Micro-cuvette holder with reduced aperture
632 511	Dual cell holder for 10mm cuvettes and 12.7mm diameter tubes (for use with 6320D only)
637 071	10mm cuvette and 16/24mm test tube holder
636 024	Cuvette holder adapter (7.5 to 15mm beam height)
648 001	Water heated single cuvette holder

Part code: 630 005

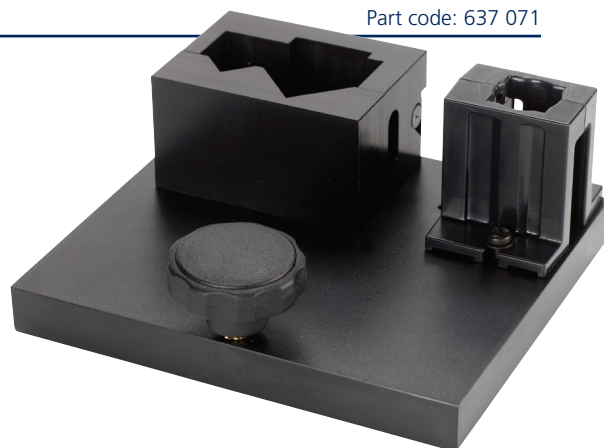


## Printers

### Ordering Information

Part Code	Description
037 551	RS232 to USB converter for use with computers without a serial port
543 001	40 column printer supplied with interface cable, paper roll and ribbon and UK power adapter
060 287	Paper roll for printer
060 288	Printer ribbon
542 009	Interface cable kit

Part code: 637 071

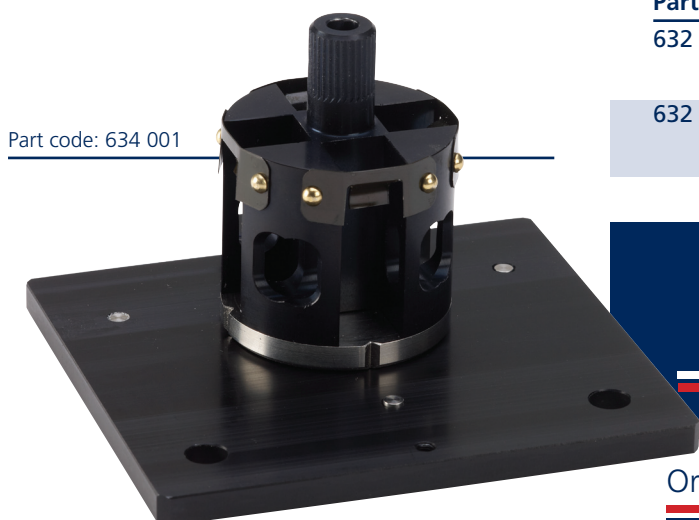


## Key Features

- Reproducible sample volumes
- Wash cycle
- Move sample to waste container or return to original vessel
- Pump sample continuously for monitoring a bulk or flowing sample



Part code: 632 001



Part code: 634 001

## Sipper Pump

The programmable peristaltic sipper pump can be adjusted by the operator to inject a repeatable volume of sample or standard into the chamber of a flow-through cuvette.

### Technical Specification

Continuous aspiration mode	Flow rate dependant on tubing bore: 12ml/min with supplied tubing
Timed aspiration mode	Sample/air gap/wash
Sample volume	75µl to 9.5ml
Segment run time	Up to 48 seconds
Size (w x d x h)	205 x 190 x 160mm
Weight	1.5kg

### Ordering Information

Part Code	Description
632 001	Sipper pump, supplied with inlet and outlet tubing (230V/50Hz)
632 031	Sipper pump, supplied with inlet and outlet tubing (110V/60Hz)

## Miscellaneous

### Ordering Information

Part Code	Description
630 028	Dust cover
033 290	Storage/carry case (not for use with 6320D)
012 094	Xenon lamp module (6305/6315)
012 075	Tungsten halogen lamp (6300/6320D/6310/Aquanova)